

125LB WALK BEHIND SALT SPREADER



Instruction & Assembly

SAVE THESE INSTRUCTIONS FOR FUTURE REFERENCE

Table of Contents

General Warnings and Rules	3
Hazard Signal Word Definitions.....	4
Controls and Features Identification.....	5
Component & Hardware.....	6, 7
Assembly Instructions	8, 9, 10
Operation Instructions	11, 12
Spreading Instructions.....	13, 14
Maintenance and Storage	15
Specification.....	15
Parts Drawing & Parts List	16, 17

GENERAL WARNINGS

READ and UNDERSTAND this manual completely before using Salt Spreader.

Operator must read and understand all safety and warning information, operating instructions, maintenance and storage instructions before operating this equipment. Failure to properly operate and maintain the spreader could result in serious injury to the operator or bystanders.

Operation Warnings

- Do not at any time carry passengers sit or stand on the spreader.
- Do not allow children to play on, stand upon or climb in the spreader.
- Always inspect the spreader before using to assure it is in good working condition.
- Replace or repair damaged or worn parts immediately.
- Always check and tighten hardware and assembled parts before operation.
- Do not exceed equipment maximum load capacity of 125lb.
- Avoid large holes and ditches when transporting loads.
- Be careful when operating on steep grades (hill) the spreader may tip over.
- Do not push close to creeks, ditches and public highways.
- Do not use spreader on windy days when spreading grass seed or herbicides.
- Always use caution when loading and unloading spreader.
- Never tow the spreader with a motorized vehicle.

Crush and Cut Hazards

- Always keep hands and feet clear from moving parts while operating the equipment.
- Always clear and keep work area clean when operating.
- Always wear safety gear, eye protection, gloves and work boots when operating the spreader.

WARNING

The warnings, cautions, and instructions outlined in this instruction manual cannot cover all possible conditions or situations that may occur. It must be understood by the operator that common sense and caution are factors which cannot be built into this product and must be supplied by the operator.






PROP 65 WARNING

This product contains chemicals known to the state of California to cause cancer, birth defects, or other reproductive harm.

Assembly Is Required

This product requires assembly before use. See "Assembly" section for instructions. Because of the weight and/or size of the push spreader, it is recommended that another adult be present to assist with the assembly. **INSPECT ALL COMPONENTS** closely upon receipt to make sure no components are missing or damaged.

Hazard Signal Word Definitions

	<p>This is the safety alert symbol. It is used to alert you to potential personal injury hazards. Obey all safety messages that follow this symbol to avoid possible injury or death.</p>
	<p>DANGER indicates an imminently hazardous situation which, if not avoided, will result in death or serious injury.</p>
	<p>WARNING indicates a potentially hazardous situation which, if not avoided, could result in death or serious injury.</p>
	<p>CAUTION indicates a potentially hazardous situation which, if not avoided, may result in minor or moderate injury.</p>
	<p>CAUTION used without the safety alert symbol indicates a potentially hazardous situation which, if not avoided, may result in property damage.</p>

ABOUT YOUR SALT SPREADER

This salt spreader is designed to spread a wide range of materials (Rock Salt, Ice Melt, Sand, Seed Mulch and large-size granular material). Materials such as Powders, Manure, Top Soil, and Gravel have the wrong physical characteristics and should not be used with this spreader. Never exceed the rated load capacity of 125lbs when operating the spreader.

Your spreader needs to be pushed at three miles per hour, which is a brisk walking speed. Slower or faster speeds will change the spread patterns. Wet spreading material will also change the spread pattern and flow rate. Clean your spreader thoroughly after each use. Wash between the shut off plate and bottom of the hopper.

Technical specifications on the push spreader are provided in the “Specifications” section of this manual.

Controls and Features Identification

Read this owner's manual before operating the equipment. Familiarize yourself with the location and function of the controls and features. Save this manual for future reference.



- 1) **T-Handle** – Pushes and moves the spreader easily.
- 2) **Hopper** – Do not exceed rated load capacity 125lb.
- 3) **3-Flap Deflector Shields** – Controls spreading pattern around sidewalks and near sensitive foliage.
- 4) **Impeller** - Evenly distributes material.
- 5) **Tires / Wheel** – Do not exceed recommended rated 20PSI.
- 6) **Flow Control** – Controls the flow of material being spread.



CAUTION

Read and follow all instructions for assembly and operation. Failure to properly assemble this equipment could result in serious injury to the user or bystanders, or cause equipment damage.

SALT SPREADER COMPONENT PARTS AND ASSEMBLY

Take all parts out of the shipping crate and inspect components to ensure there are no missing pieces before starting to assemble the push spreader follow steps 1 through 3.

TOOLS REQUIRED

- Pliers (2 Each)
- 10mm Wrenches (2 Each)
- 13mm Wench

Component Parts

#24 Bolt M6X60
1 PC



#40 Bolt M6X35
2 PCS



#47 Bolt M6X20
4 PCS



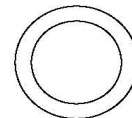
#11 Lock Nut M8
2 PCS



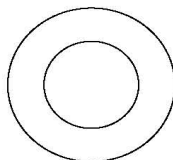
#9 Lock Nut M6
7 PCS



#19 Wheel Bushing
2 PCS



#17 Flat Washer ϕ 16
1 PC



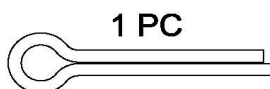
#12 Flat Washer ϕ 8
2 PCS



#55 Spring Washer ϕ 6
6 PCS



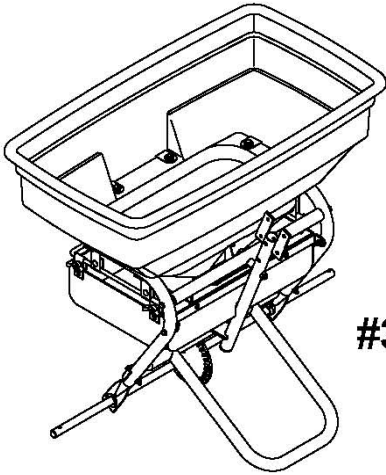
#16 Cotter Pin ϕ 5X35
1 PC



Component Parts

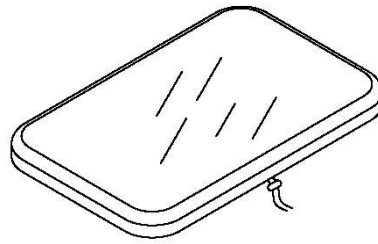
Main Assembly

1 PC



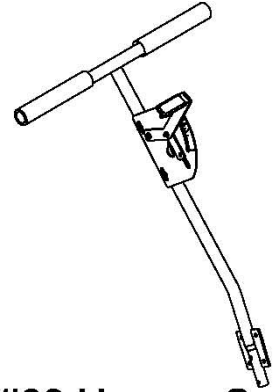
#44 Rain Cover

1 PC



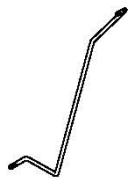
Handle Assembly

1 PC



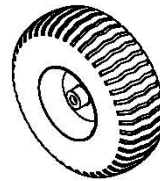
#34 Connecting Rod

1 PC



#15 Pneumatic Wheel

2 PCS



#63 Hopper Screen

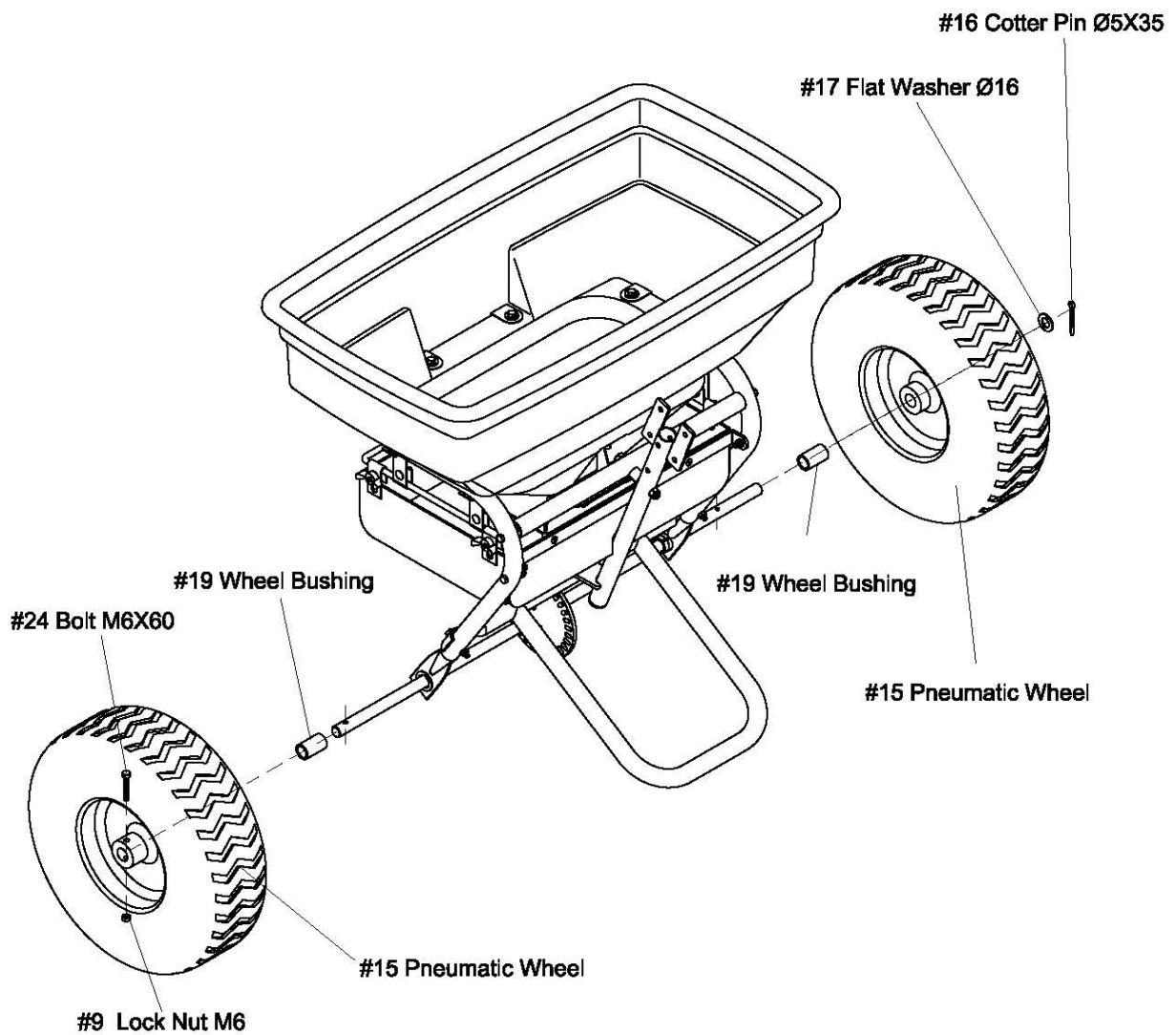
1 PC



Assembly Instructions

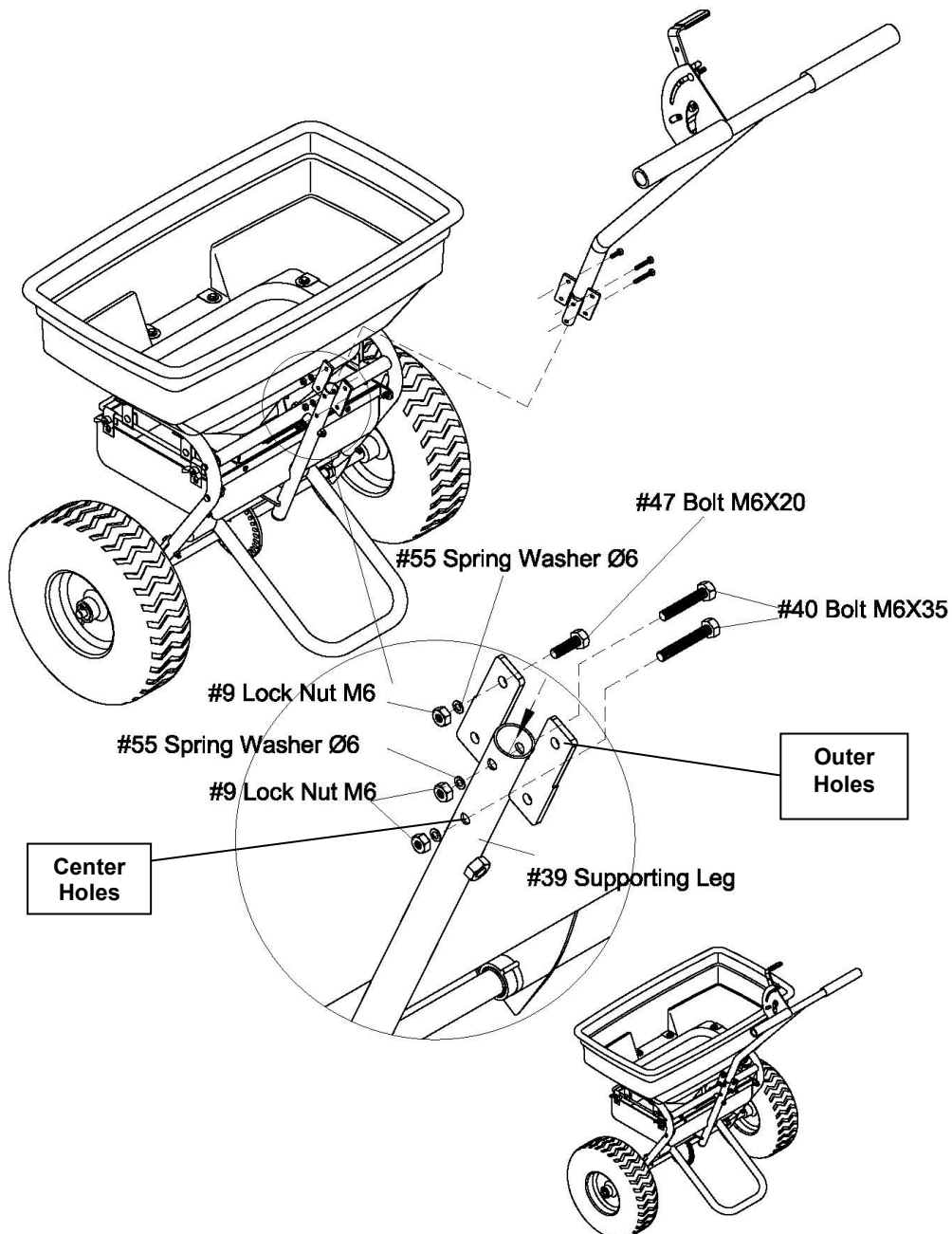
STEP 1: Attaching the Wheels

1. When assembling the wheels make sure the air valves are facing outward.
2. Slide the wheel bushing (#19) onto the left side of the axle.
3. Push one wheel (#15) onto the axle. Align the hole in the axle and wheel and insert the M6x60 bolt (#24) and secure with a M6 lock nut (#9).
4. Slide the other wheel bushing (#19) onto the right side of the axle.
5. Push the wheel (#15) onto the axle. Slip the Ø16 flat washer (#17) and insert the Ø5x35 cotter pin (#16) into the hole and fasten it by bending.



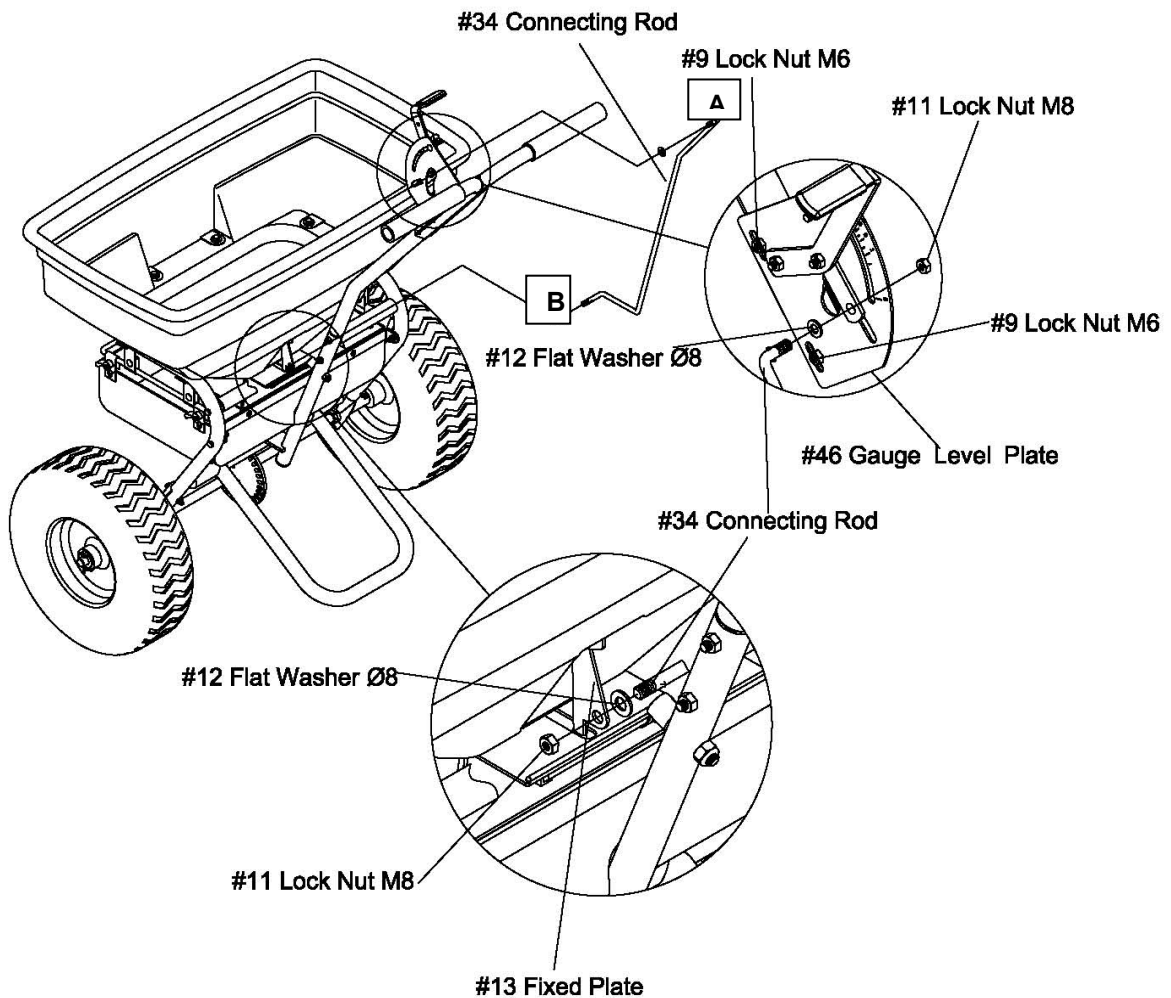
Step 2: Attach Handle to the Supporting Leg

1. Insert handle assembly into the supporting leg (#39). In the center holes put two M6x35 bolts (#40), Ø6 spring washer (#55) and secure with M6 lock nut (#9).
2. On the outer holes of the handle assembly and supporting leg (#39) put four M6x20 bolts (#47), Ø6 spring washers (#55) and secure with M6 lock nuts (#9).



STEP 3: Connecting the Solid Linkage

1. Push the flow control handle to the “30” position. Insert the A end of the connecting rod (#34) through the Ø8 flat washer (#12) and into the hole on the gauge level plate (#46). Secure with a M8 lock nut (#11).
2. Insert the B end of the connecting rod (#34) through the Ø8 flat washer (#12) and into the hole on the fixed plate (#13). Secure with M8 lock nut (#11).
3. Push the control handle to the “0” position. The hole in the bottom of the spreader should be completely closed. If the flow control handle position and the hole in the bottom of the hopper does match exactly, loosen the two bottom M6 lock nuts (#9) and move the gauge level plate until the handle position and the hole in the bottom of the hopper match. Re-tighten the two M6 lock nuts (#9).



Operation Instructions

WARNING

Before using the push spreader, review the instructions below and safety information before operating. Failure to follow these instructions may result in property damage or injury to the operator or bystanders.

USING YOUR SPREADER

1. Inspect your spreader before each use. Make sure the wheels turn easily, and the gearbox moves when the spreader is pushed. The hopper should be clean and free from cracks.
2. Spreader is designed to spread a range of materials (Rock Salt, Ice Melt, Sand, Fertilizer and Grass Seed). Materials such as Powder, Manure, Top Soil and Gravel have the wrong physical characteristics and should not be used with your spreader.
3. Determine approximate square footage of the area to be covered and estimate amount of material required. Please refer to fertilizer manufacturer's recommendation. Break up any lumpy fertilizer as you fill the hopper.
4. Before filling the hopper, make sure that the flow control lever is in the "0" position and the flow control plate is closed.
5. Set the adjustable stop with the flow control lever always in the "0" position. Every time you are ready to stop or turn back, close the flow control plate to stop dispersing the material and continue one more stride. This reduces waste and avoids damaging the lawn with oversaturated product coverage.
6. Follow fertilizer manufacturer's recommended coverage rate for each product.
7. To maintain the same coverage when walking at a different speed, adjust the flow rate. Reduce the flow setting for slower speeds and increase the flow setting for higher speeds.
8. Keep the impeller plate horizontal when operating the spreader. Tilting the spreader will result in uneven coverage.
9. Always start walking prior to opening the closure plate.
10. Always close the flow control plate before turning or stopping the spreader.
11. If spreading material is accidentally deposited too heavily in a small area, soak the area thoroughly with a garden hose or sprinkler to prevent burning of the lawn.
12. To insure consistent coverage, make sure each broadcast pattern slightly overlaps the previous broadcast pattern.
13. When broadcasting spreading material, make sure the broadcast pattern does not hit evergreen trees, flowers or shrubs.
14. Do not over apply spreading material. Follow the recommended coverage rate for each product. Over application will lead to lawn damage and contamination.

Operation Instructions



CAUTION

The spreader settings are guidelines only. The spreader should be calibrated prior to application to ensure accuracy.

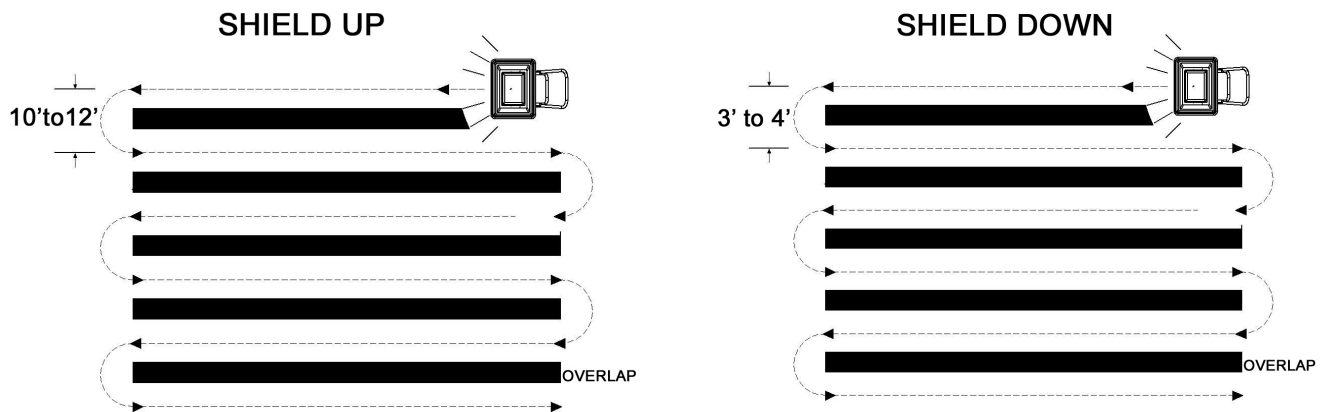
The spreader settings are based on a walking speed of 3 MPH. Walking faster or slower will alter the spread application rate. Exact rates depend upon the spreader itself and the accuracy of the person operating it.

ADJUSTING THE FLOW

1. For proper material flow settings refer to the spreading instructions section.
2. Move the bolt on flow control assembly to the proper setting and tighten.
3. Pushing the spreader forward at brisk walking speed to ensure consistent coverage of material.
4. To stop, move the flow control lever to the closed position before stopping.

CONSISTENT COVERAGE

To insure consistent coverage, make sure each broadcast pattern slightly overlaps the previous broadcast pattern as shown in figures below. Your spreader comes with adjustable deflector shields (shield down) to control the flow of Rock Salt or Ice Melt. The approximate broadcast widths for different materials are shown in the application chart.



WARNING

Do not over apply spreading material. Follow the recommended coverage rate for each product. Over application will lead to damage and contamination. If spreading material accidentally hits or deposits to heavily, soak the area thoroughly with a garden hose or sprinkler to prevent burning.

Spreading Instructions

CALCULATING AMOUNT OF MATERIAL NEEDED

To calculate the amount of fertilizer you will need to cover your lawn, divide the coverage amount listed on the label by the weight of the fertilizer bag. For example a 10LB. bag of fertilizer with coverage of 10,000 square feet will distribute 1LB. of fertilizer every 1,000 square feet at full rate or 1/2LB. of fertilizer every 1,000 square feet at half rate. For pre-calculated rates see **Chart A** (Example: 25LB. bag with 15,000 sq. ft. coverage = 1.7LB./1,000 sq. ft.). Use **Chart B** to find the closest spreader setting (Example: 1.7LB./1000 sq. ft. = Spreader Setting of 12).

Chart A - Square Foot Coverage per Bag*

Weight of Bag (LBS.)	LBS/1,000 SQ FT		
	5,000 SQ FT COVERAGE	10,000 SQ FT COVERAGE	15,000 SQ FT COVERAGE
5	1.0 LB.	0.5 LB.	0.3 LB.
10	2.0 LB.	1.0 LB.	0.7 LB.
15	3.0 LB.	1.5 LB.	1.0 LB.
20	4.0 LB.	2.0 LB.	1.3 LB.
25	5.0 LB.	2.5 LB.	1.7 LB.
30	6.0 LB.	3.0 LB.	2.0 LB.
35	7.0 LB.	3.5 LB.	2.3 LB.
40	8.0 LB.	4.0 LB.	2.7 LB.
45	9.0 LB.	4.5 LB.	3.0 LB.
50	10.0 LB.	5.0 LB.	3.3 LB.

*These are only estimates actual amounts may vary.

Chart B - Spreader Settings/Spread Widths

MULTI-USAGES	LBS/1,000 SQ FT	SPREADER SETTING	SMALL PARTICLE SPREAD	MEDIUM PARTICLE SPREAD	LARGE PARTICLE SPREAD
ROCK SALT ICEMELT FERTILIZER GRASS SEEDS	1	10	5-6 FT.	6-9 FT.	9-12 FT.
	2	12	5-6 FT.	6-9 FT.	9-12 FT.
	3	14	5-6 FT.	6-9 FT.	9-12 FT.
	4	15	5-6 FT.	6-9 FT.	9-12 FT.
	5	17	5-6 FT.	6-9 FT.	9-12 FT.
	6	18	5-6 FT.	6-9 FT.	9-12 FT.
	7	20	5-6 FT.	6-9 FT.	9-12 FT.
	8	23	5-6 FT.	6-9 FT.	9-12 FT.
	9	25	5-6 FT.	6-9 FT.	9-12 FT.
	10	30	5-6 FT.	6-9 FT.	9-12 FT.

*These are only estimates actual spreader settings and spread widths may vary depending on material.

Spreading Instructions

ADDITIONAL SPREADER SETTING INSTRUCTIONS

For materials that **DO NOT** use a typical 5,000 Sq. Ft, 10,000 Sq. Ft. & 15,000 Sq. Ft. coverage value.




To obtain the proper spreader settings follow the steps below:

- 1) Find the total weight in lbs. of the product from the product label on the bag of material.
- 2) Find the coverage amount in square feet that the product is rated for from the product label on the bag of material.
- 3) Divide the bag weight rated in lbs. by the square feet coverage rated on the bag.
- 4) Take this result and multiply it by 1000.
- 5) This final number is the lbs. of material to be spread per 1000 square feet.
- 6) Use the spreader setting number in Chart B for the proper setting.

As an example:

- 1) The fertilizer bag weighs 10 lbs.
- 2) The coverage value is rated at 2000 square feet.
- 3) $10 \text{ lbs.} / 2000 \text{ square ft.} = 0.005$
- 4) $0.005 \times 1000 = 5 \text{ lbs. per } 1000 \text{ sq. ft.}$
- 5) Using this number in Chart B, you would obtain a spreader setting of 17.

Chart B - Spreader Settings/Spread Widths

MULTI-USAGES	LBS/1,000 SQ FT	SPREADER SETTING	 SMALL PARTICLE SPREAD	 MEDIUM PARTICLE SPREAD	 LARGE PARTICLE SPREAD
ROCK SALT	1	10	5-6 FT.	6-9 FT.	9-12 FT.
	2	12	5-6 FT.	6-9 FT.	9-12 FT.
	3	14	5-6 FT.	6-9 FT.	9-12 FT.
ICEMELT	4	15	5-6 FT.	6-9 FT.	9-12 FT.
FERTILIZER	5	17	5-6 FT.	6-9 FT.	9-12 FT.
	6	18	5-6 FT.	6-9 FT.	9-12 FT.
GRASS SEEDS	7	20	5-6 FT.	6-9 FT.	9-12 FT.
	8	23	5-6 FT.	6-9 FT.	9-12 FT.
	9	25	5-6 FT.	6-9 FT.	9-12 FT.
	10	30	5-6 FT.	6-9 FT.	9-12 FT.

*These are only estimates actual spreader settings and spread widths may vary depending on material.

 WARNING

Do not over apply spreading material. Follow the recommended coverage rate for each product. Over application will lead to damage and contamination. If spreading material accidentally hits or deposits to heavily, soak the area thoroughly with a garden hose or sprinkler to prevent burning.

Maintenance and Storage



WARNING

Improper maintenance and storage of the push spreader may void your warranty.

MAINTENANCE

- After each use clean material out of hopper.
- Rinse/dry inside and outside of the spreader after each use.
- Before operating make sure the tires have the RECOMMENDED TIRE PRESSURE 20 PSI.
- Periodically check all fasteners for tightness.
- Annually clean and lightly lubricate parts.
- Never exceed load capacity rating of 125lbs it will damage the spreader.

IMPORTANT:

If a part needs replacement, only use parts that meet the manufacturer’s specifications. Replacement parts that do not meet specifications may result in a safety hazard or poor operations.

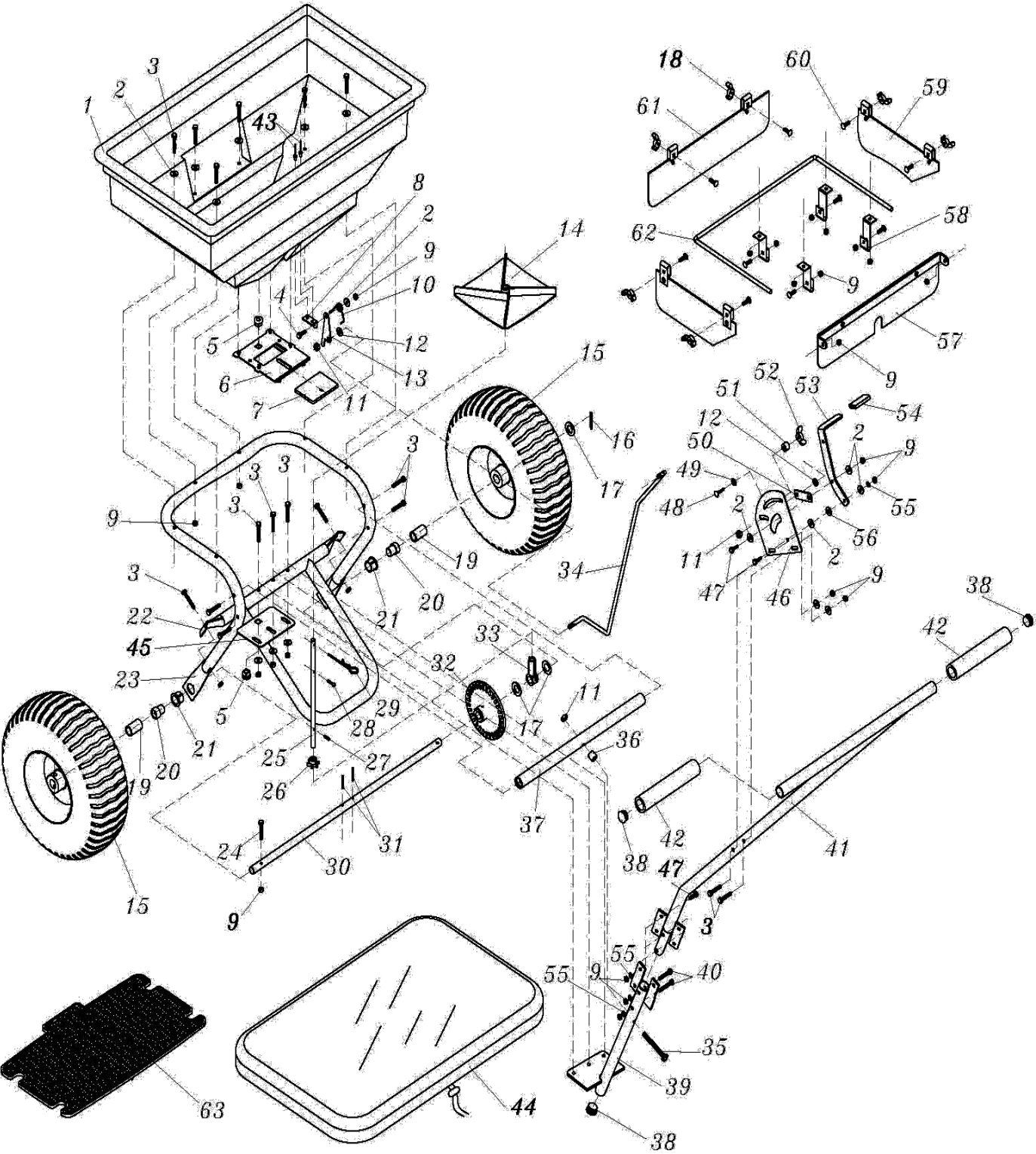
STORAGE

- Never allow material to remain in the hopper for extended periods of time.
- Before storing make sure the spreader is clean and dry for years of trouble free service.
- Store indoors or protected area during severe weather and winter months.

Specifications

Load Capacity	125lb
Spreader Type.....	Broadcast
Hopper Material	Polypropylene
Hopper Dimensions	29.5” x 16.5” x 13.4”
Overall Dimensions.....	43.3” x 31.5” x 38”
Wheel size	14”
Tire Pressure (PSI)	20
Unit Weight	40.8lb

Parts Drawing & Parts List



Parts Drawing & Parts List

Ref#	Description	Qty	Ref#	Description	Qty
1	Hopper Assembly	1	33	Swivel Axle Base	1
2	Ø6 Big Flat Washer	16	34	Connecting Rod	1
3	M6x40 Hex Bolt	17	35	M8x75 Hex Bolt	1
4	M6x16 Hex Bolt	1	36	Wheel Bushing	1
5	Swivel Axle Bushing	2	37	Fixed Crossover Tube	1
6	Fixed Adjustable Plate	1	38	End Cap	3
7	Active Adjustable Plate	1	39	Support Leg	1
8	Base for Spring	1	40	M6x35 Hex Bolt	2
9	M6 Lock Nut	29	41	Handle Connecting Tube	1
10	Spring	1	42	Sponge Handle	2
11	M8 Lock Nut	3	43	Ø5x8 Rivet	2
12	Ø8 Flat Washer	2	44	Rain Cover	1
13	Fixed Plate for Connecting Rod	1	45	Swivel Axle Base	1
14	Impeller	1	46	Gauge Level Plate	1
15	Pneumatic Wheel	2	47	M6x20 Hex Bolt	6
16	Ø5x35 Cotter Pin	1	48	M6x25 Round Head Bolt	1
17	Ø16 Flat Washer	3	49	Ø8 Gear Lock Washer	1
18	Stainless Steel Wing Nut	6	50	Connecting Rod Plate	1
19	Wheel Bushing	2	51	Spacer	1
20	Inner Axle Bushing	2	52	Wing Nut	1
21	Outer Axle Bushing	2	53	Adjustable Handle	1
22	Support Frame Assembly	1	54	Handle Grip	1
23	Hopper Assembling Tube	1	55	Ø6 Spring Washer	7
24	M6x60 Bolt	1	56	Nylon Washer	1
25	Swivel Axle	1	57	Rear Back Plate	1
26	Small Gear	1	58	Hanging Plate	4
27	Ø3x16 Spring Pin	1	59	Side Back Plate	2
28	M4x20 Screw	1	60	M6x20 Round Head Bolt	10
29	R-Pin	1	61	Front Back Plate	1
30	Axle	1	62	Hanging Rod	1
31	Ø4x30 Spring Pin	2	63	Hopper Screen	1
32	Gear	1			

